

REV. C

SAE AS4375

FEDERAL SUPPLY CLASS
4730

RATIONALE

AS4375C HAS BEEN REAFFIRMED TO COMPLY WITH THE SAE FIVE-YEAR REVIEW POLICY.

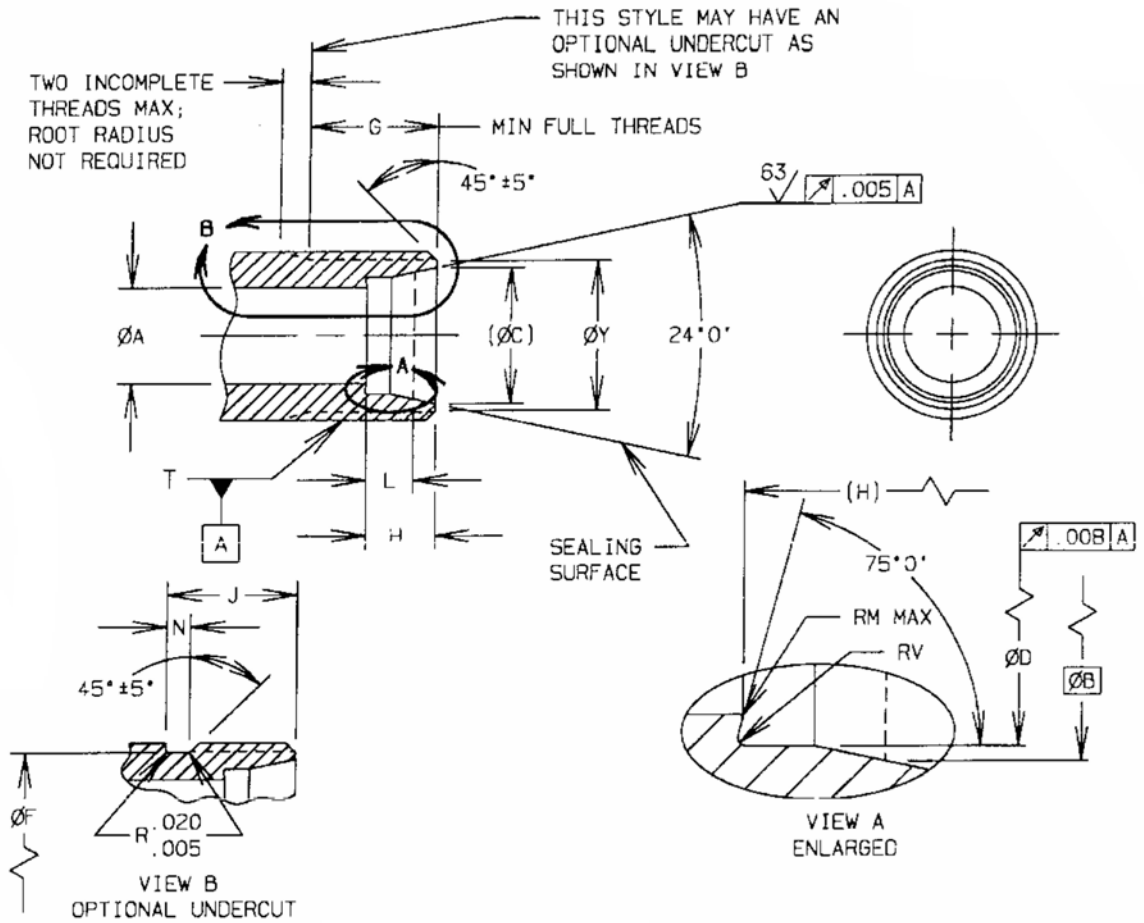
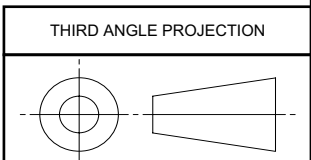


FIGURE 1 - FITTING END DESIGN, STYLE G

SAE Technical Standards Board Rules provide that: "This report is published by SAE to advance the state of technical and engineering sciences. The use of this report is entirely voluntary, and its applicability and suitability for any particular use, including any patent infringement arising therefrom, is the sole responsibility of the user." SAE reviews each technical report at least every five years at which time it may be revised, reaffirmed, stabilized, or cancelled. SAE invites your written comments and suggestions.

SAE values your input. To provide feedback on this Technical Report, please visit <http://www.sae.org/technical/standards/AS4375C>



CUSTODIAN: G-3/G-3B

PROCUREMENT SPECIFICATION: NONE /1/

SAE Aerospace
An SAE International Group

AEROSPACE STANDARD

FITTING END, FLARELESS,
DESIGN STANDARD

SAE AS4375
SHEET 1 OF 3

REV. C

ISSUED 1992-07 REVISED 2003-05 REAFFIRMED 2013-01